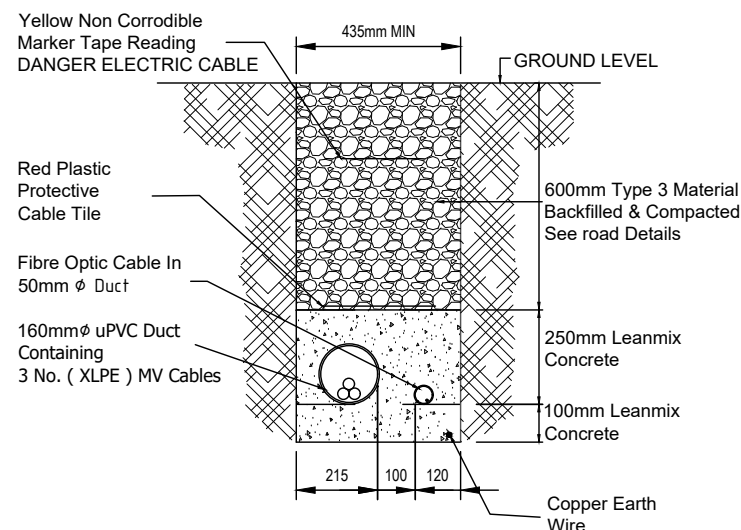
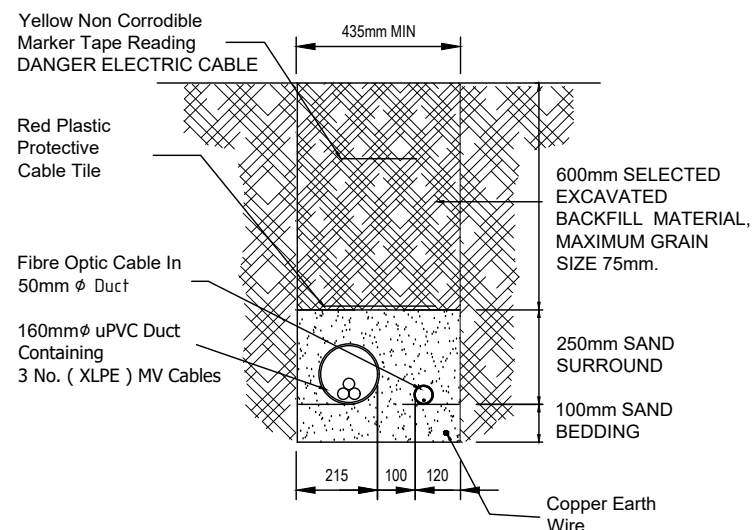


NOTES:
 1 FIGURED DIMENSIONS ONLY TO BE TAKEN FROM THIS DRAWING.
 2 ALL DRAWINGS TO BE CHECKED BY THE CONTRACTOR ON SITE.
 3 ENGINEER TO BE INFORMED OF ANY DISCREPANCIES BEFORE ANY WORK COMMENCES.
 4 THIS DRAWING TO BE READ IN CONJUNCTION WITH ALL OTHER RELEVANT DRAWINGS AND SPECIFICATIONS.

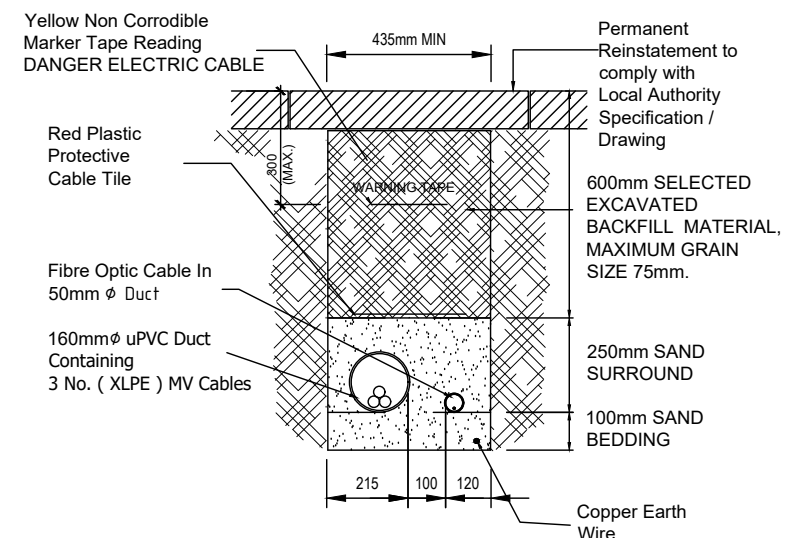
THIS DRAWING IS NOT TO BE USED AS A CONSTRUCTION DRAWING.



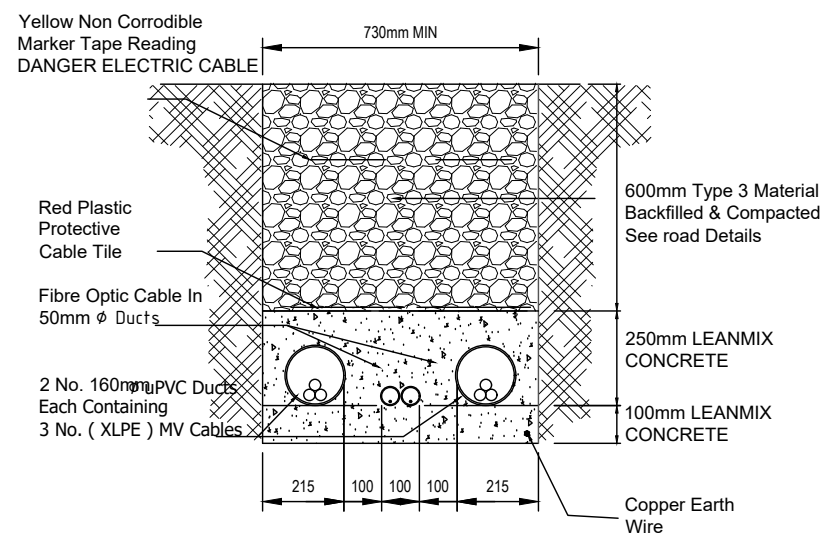
**CABLE TRENCH IN SITE ROADWAY SINGLE CIRCUIT
 (INTERNAL WIND FARM)
 Scale 1:20**



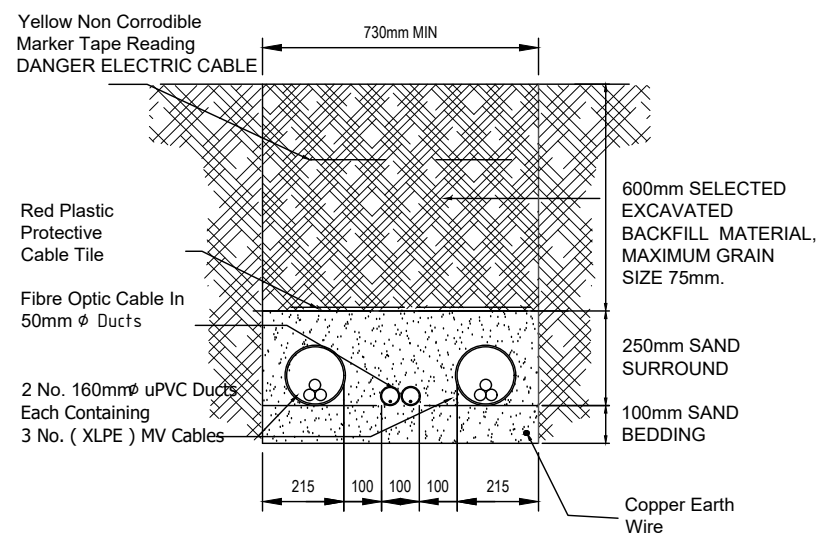
**CABLE TRENCH IN OPEN GROUND SINGLE CIRCUIT
 (INTERNAL WIND FARM)
 Scale 1:20**



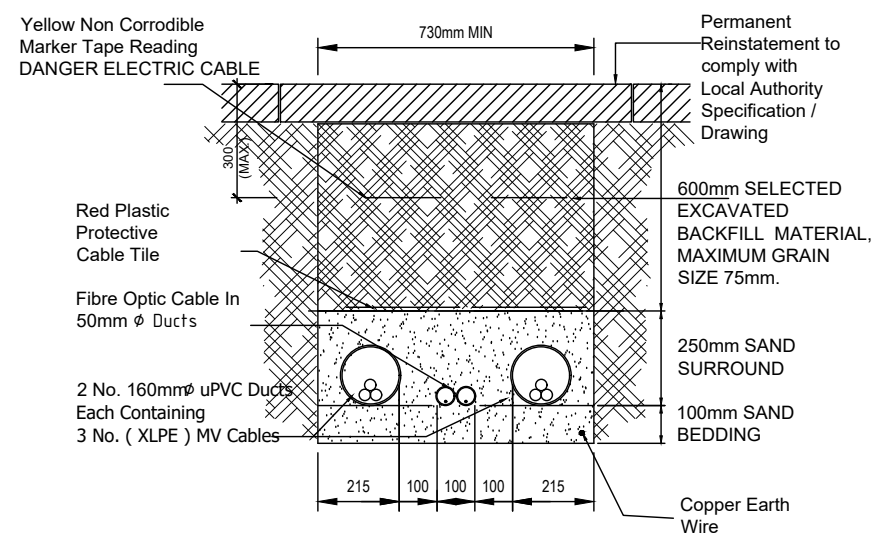
**CABLE TRENCH IN PUBLIC ROAD SINGLE CIRCUIT
 (INTERNAL WIND FARM)
 Scale 1:20**



**CABLE TRENCH IN SITE ROADWAY TWIN CIRCUIT
 (INTERNAL WIND FARM)
 Scale 1:20**



**CABLE TRENCH IN OPEN GROUND TWIN CIRCUIT
 (INTERNAL WIND FARM)
 Scale 1:20**



**CABLE TRENCH IN PUBLIC ROAD TWIN CIRCUIT
 (INTERNAL WIND FARM)
 Scale 1:20**

rev.	modifications	D	C	A
------	---------------	---	---	---

Client	CONSTANT ENERGY LTD			
Project	TIRAWLEY WIND FARM CO. MAYO			
Stage	PLANNING			
Title	INTERNAL POWER AND COMMUNICATION CABLE TRENCH DETAILS (WIND FARM)			
Scales	AS NOTED @ A3			
Surveyed	Prepared	Checked	Approved	Date
JOD	JB	MG / DT	DK	APRIL 2026



© COPYRIGHT OF
 JENNINGS O'DONOVAN AND PARTNERS LIMITED
 FINISKLIN Tel (+353) 719 161 416
 SLIGO Email. info@jodireland.com
 IRELAND www.jodireland.com

Job No.	Drawing no.	Revision
6289	PL-1001	0